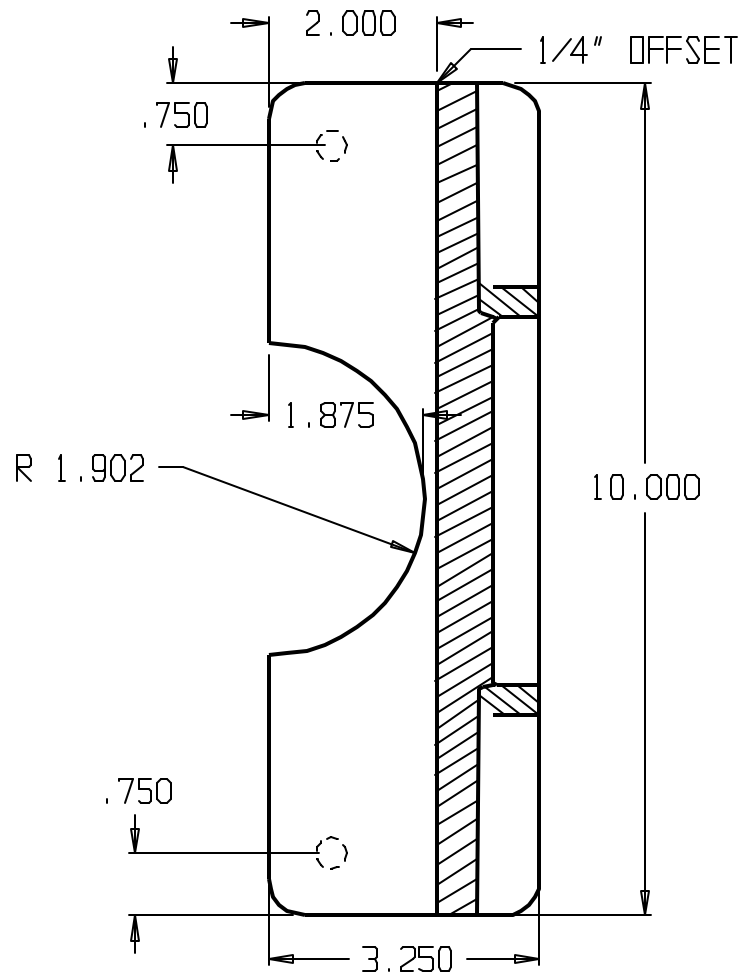


REVISIONS			
ZONE	REV	FINISHES:	GUAGE:
		BP, DU & SL	12ga. .104



DON-JO MFG. INC.

DESIGNER	SIZE: A	DATE: 5/4/04	PART NO.: BLP-210	REV
APPROVED	SCALE	RELEASE DATE	WEIGHT	SHEET