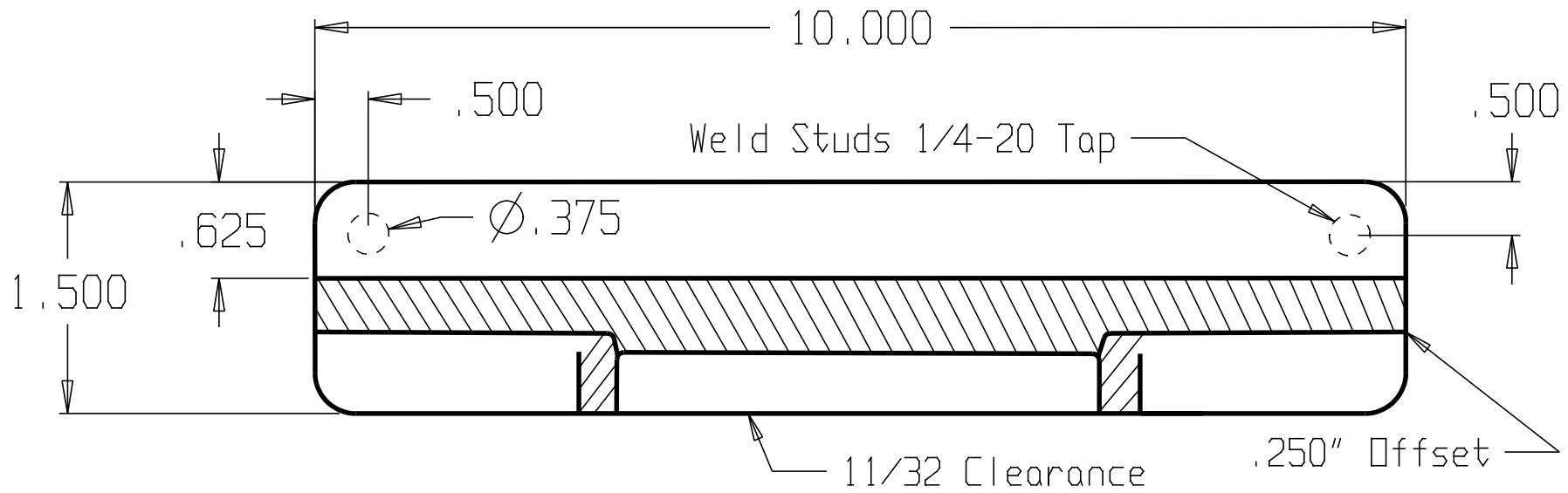


REVISIONS			
ZONE	REV	FINISHES:	GAUGE:
		630	12ga. .104



**DON-JO MFG. INC.**

DESIGNER	
APPROVED	

SIZE	DATE:	PART NO.	REV
A	5/6/04	NLP-110	
SCALE	RELEASE DATE	WEIGHT	SHEET