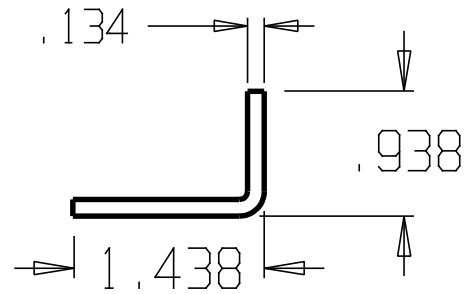
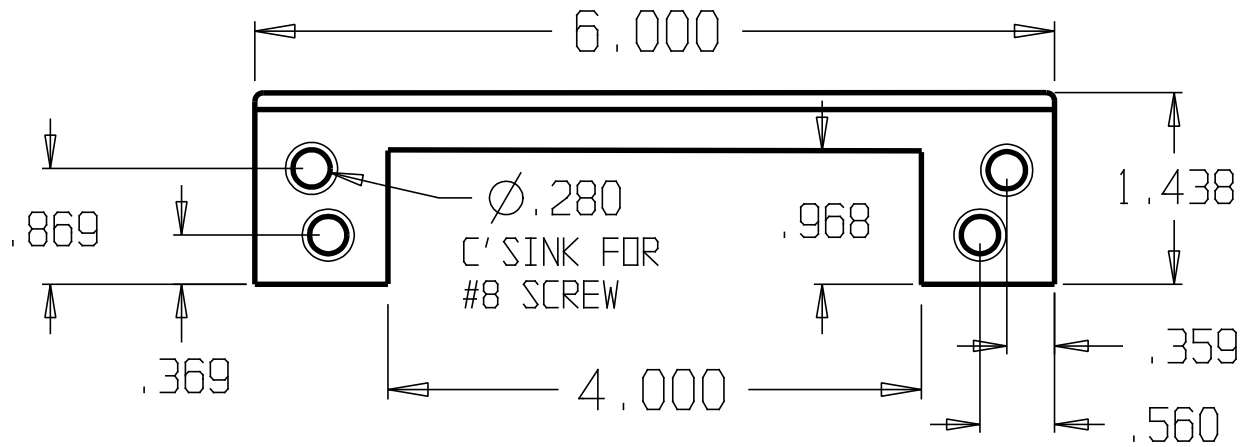


REVISIONS			
ZONE	REV	FINISHES:	GALUGE:
		BC, DU & SL	10ga. .134



DON-JO MFG. INC.

DESIGNER	SIZE	DATE:	PART NO.	REV
	A	5/3/04	ALP-206	
APPROVED	SCALE	RELEASE DATE	WEIGHT	SHEET