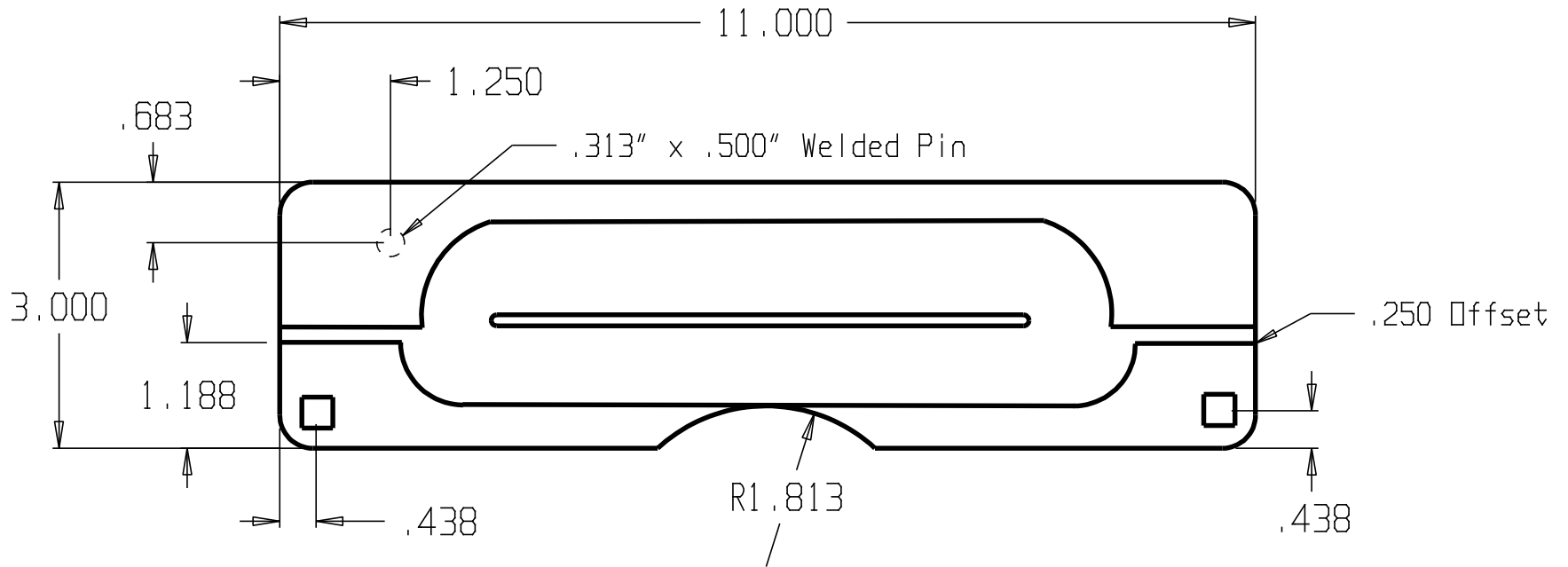


REVISIONS			
ZONE	REV	FINISHES:	GAUGE:
		630	12ga. .104



DON-JO MFG. INC.

DESIGNER	SIZE	DATE:	PART NO.	REV
	A	5/28/04	PLP-111	
APPROVED	SCALE	RELEASE DATE	WEIGHT	SHEET