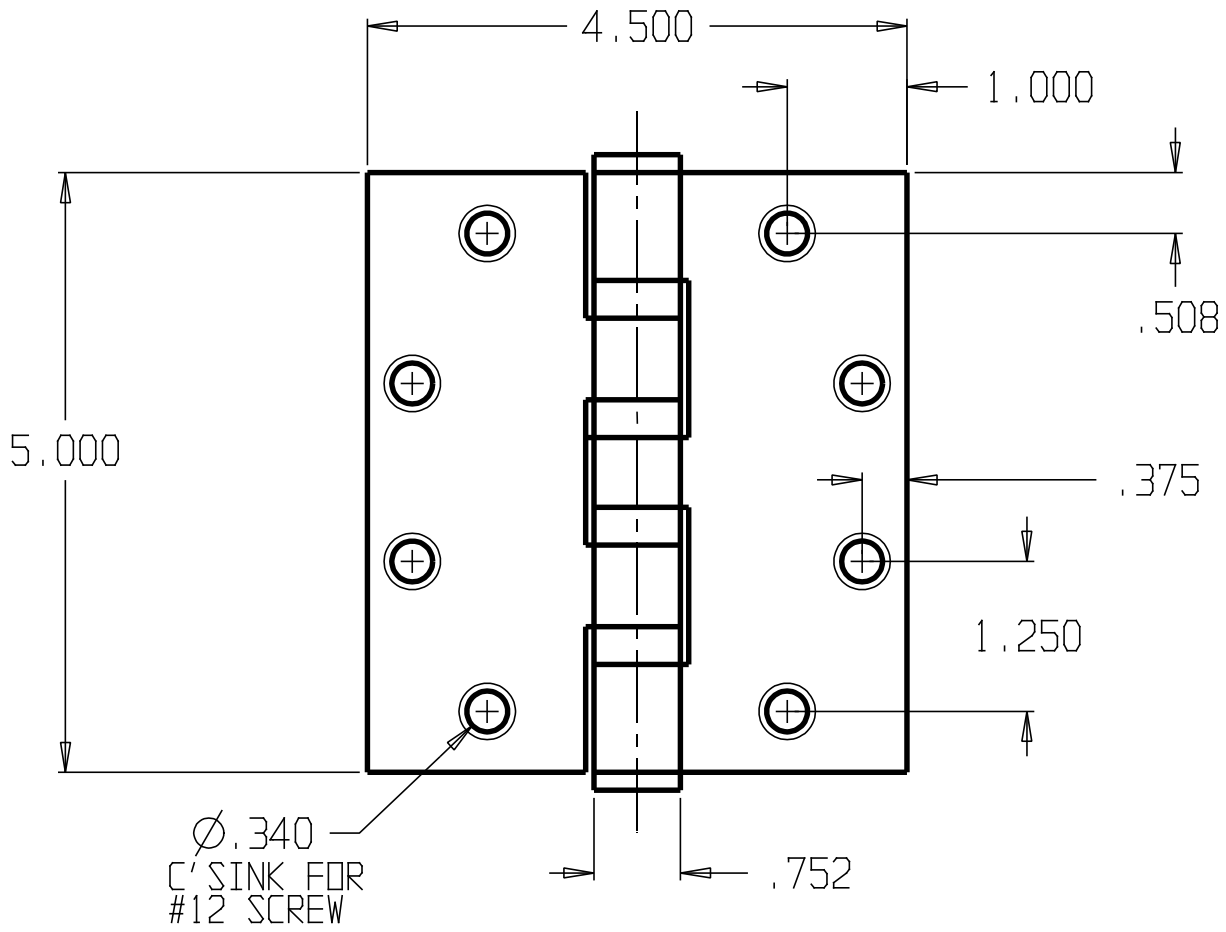


REVISIONS		
ZONE	REV	FINISHES:
		630
		GUAGE: .190



Ø.340
C' SINK FOR
#12 SCREW

DON-JO MFG. INC.		SIZE	DATE:	PART NO.	REV
DESIGNER		A	1/14/05	HWBB-95045	
APPROVED		SCALE	RELEASE DATE	WEIGHT	SHEET