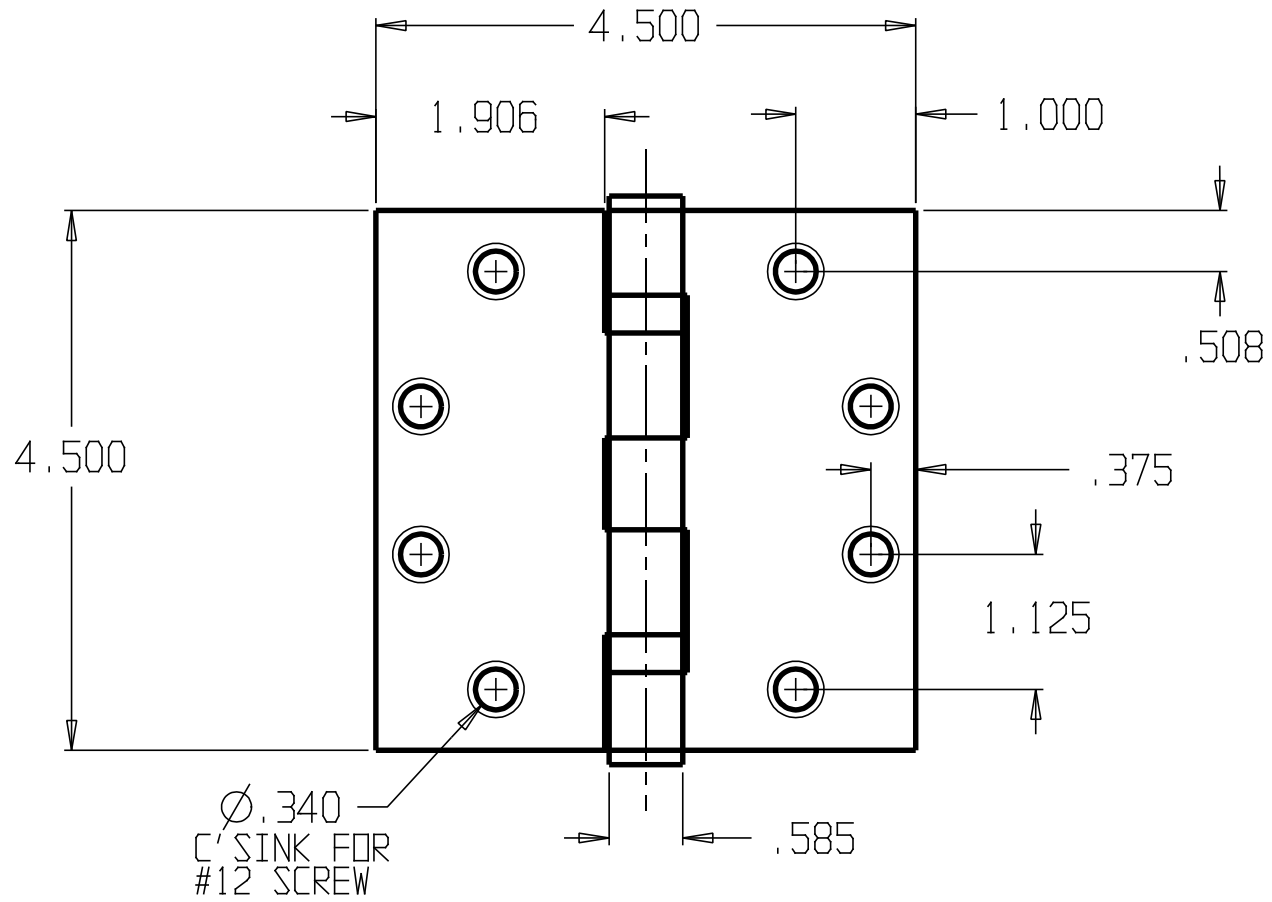


REVISIONS			
ZONE	REV	FINISHES:	GAUGE:
		630	10ga. .135



DON-JO MFG. INC.

DESIGNER	SIZE A	DATE: 1/14/05	PART NO. PB-94545	REV
APPROVED	SCALE	RELEASE DATE	WEIGHT	SHEET