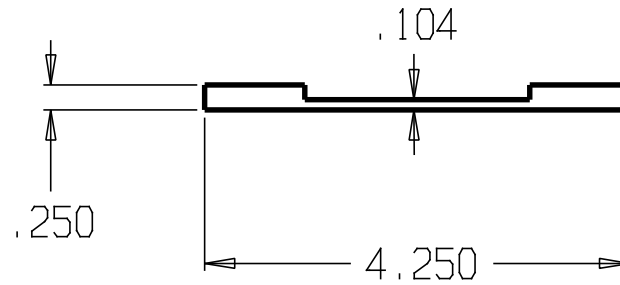
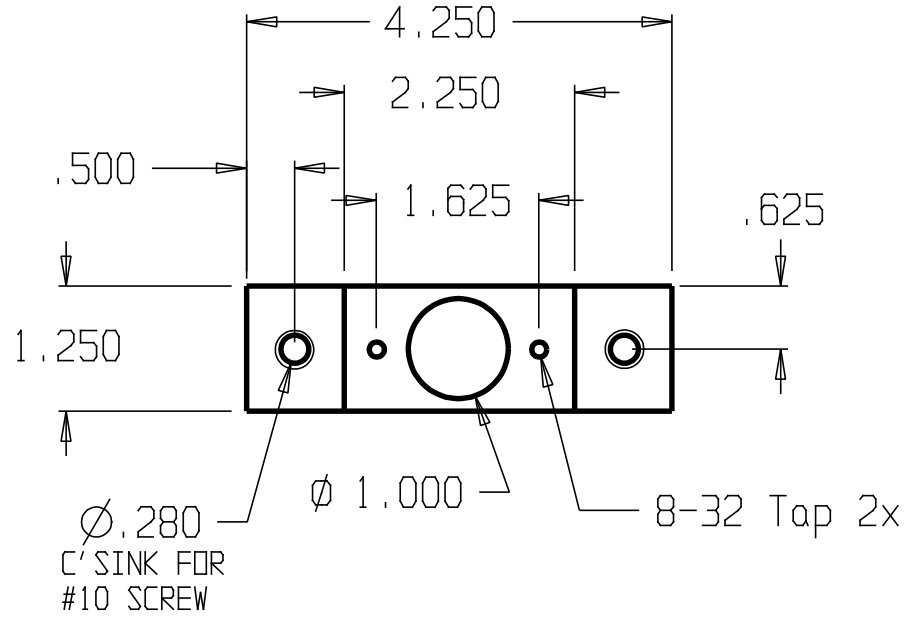


REVISIONS			
ZONE	REV	FINISHES:	GUAGE:
		SL	1/4"



DON-JO MFG. INC.

DESIGNER  
APPROVED

SIZE: A  
DATE: 5/7/04

PART NO.: CV-2414  
REV

SCALE:      RELEASE DATE:      WEIGHT:      SHEET: