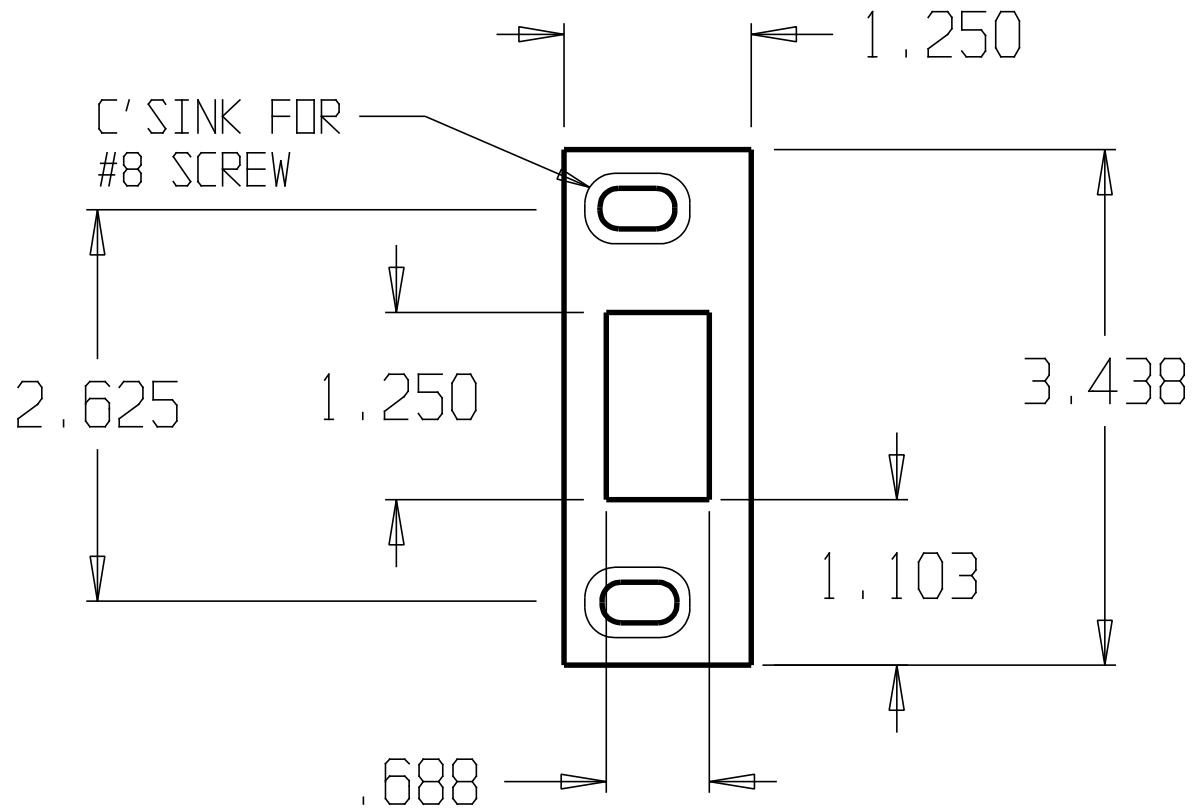


REVISIONS			
ZONE	REV	FINISHES:	GUAGE:
		BP & SL	13ga. .095



DON-JO MFG. INC.

DESIGNER
APPROVED

SIZE A	DATE: 4/20/04
SCALE	RELEASE DATE

PART NO. A-2-SDS	REV
WEIGHT	SHEET