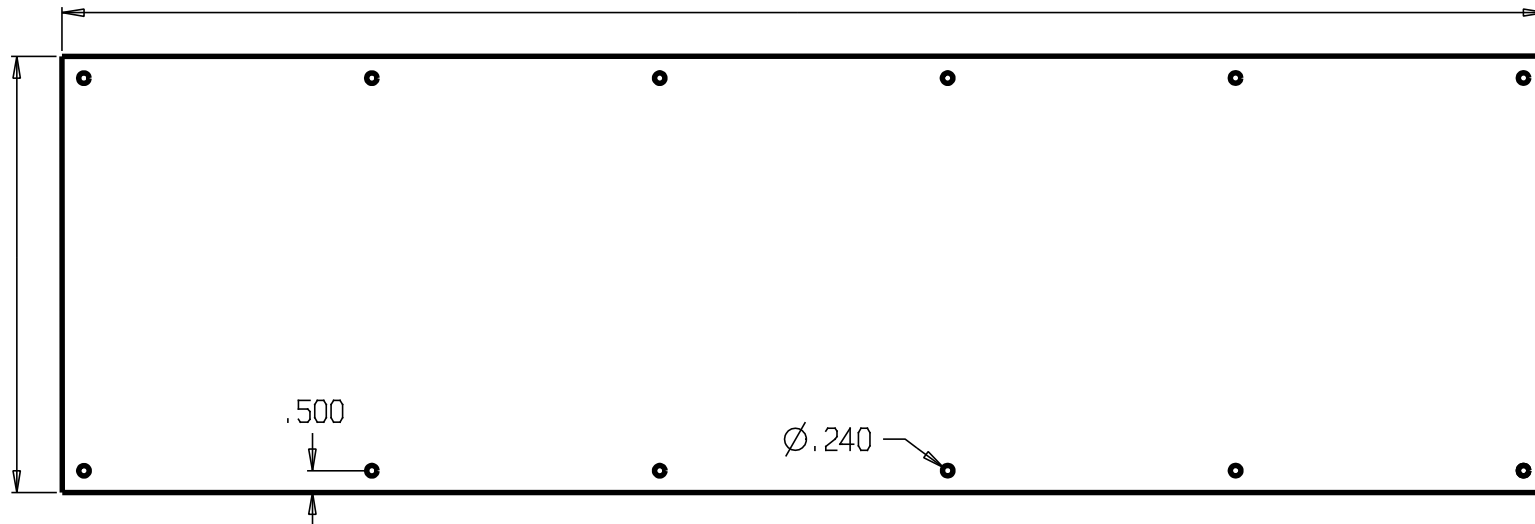


REVISIONS

ZONE	REV	FINISHES :	Gauge :	APPROVED
		605, 606, 609, 612, 613, 619, 626, 628, 629, 630, BT, DB, ENDURANCE, PLASTIC		



.038 / FILL IN DIMENSIONS

DON-JO MFG. INC.

DESIGNER	SIZE	DATE:	PART NO.	REV
	A	2/10/04	#91	
APPROVED	SCALE	RELEASE DATE	WEIGHT	SHEET