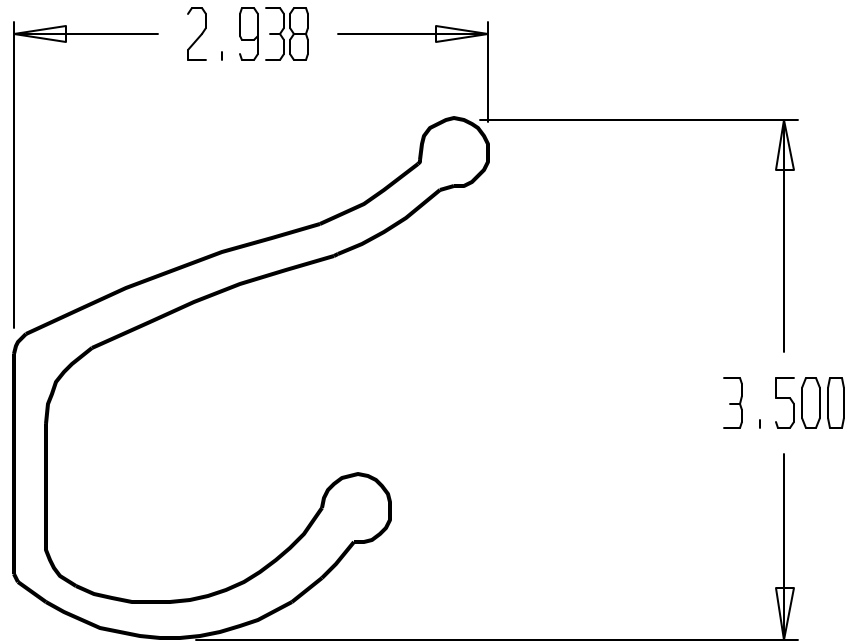


DWG NO. SH REV

REVISIONS

ZONE	REV	FINISHES:	DATE	APPROVED
		605, 613, 619, 620, 625		



DON-JO MFG. INC.

DESIGNER  
APPROVED

SIZE A	DATE: 4/20/04	PART NO. #300	REV
SCALE	RELEASE DATE	WEIGHT	SHEET