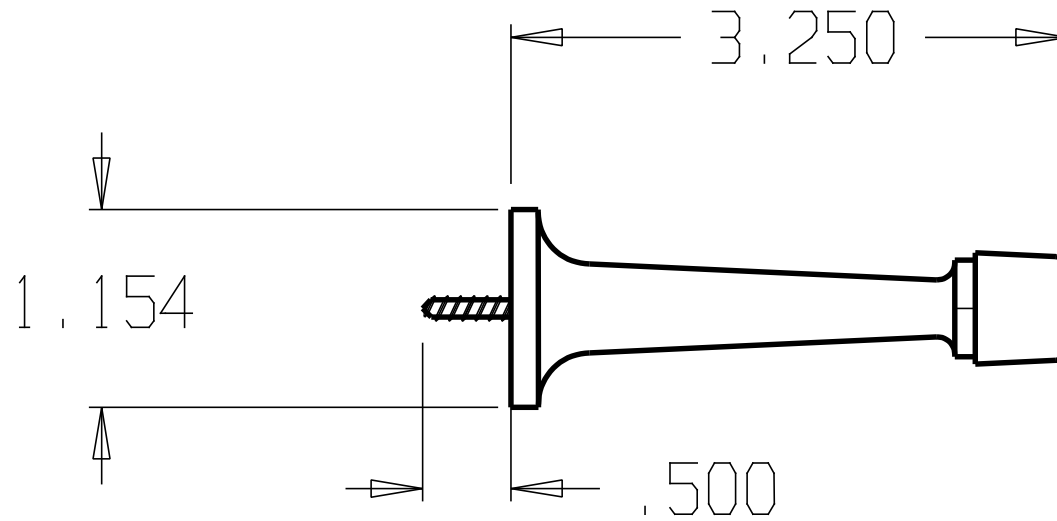


REVISIONS				
ZONE	REV	FINISHES :	DATE	APPROVED
		605,613,619,620,625,626		



DON-JO MFG. INC.

DESIGNER	SIZE	DATE:	PART NO.	REV
	A	3/23/04	#1506	
APPROVED	SCALE	RELEASE DATE	WEIGHT	SHEET