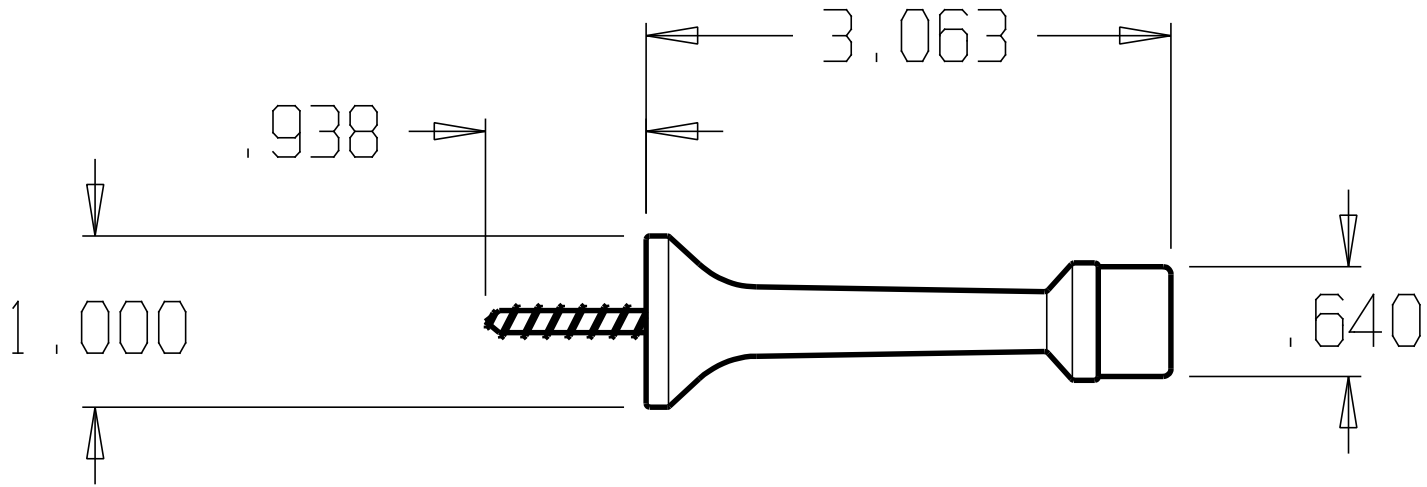


| REVISIONS | | | | |
|-----------|-----|-------------------------|------|----------|
| ZONE | REV | FINISHES: | DATE | APPROVED |
| | | 605,613,619,620,625,626 | | |



DON-JO MFG. INC.

| | |
|----------|--|
| DESIGNER | |
| APPROVED | |

| | | | |
|-----------|------------------|-------------------|-------|
| SIZE A | DATE: 3/23/04 | PART NO. #1504 | REV |
| SCALE | RELEASE DATE | WEIGHT | SHEET |