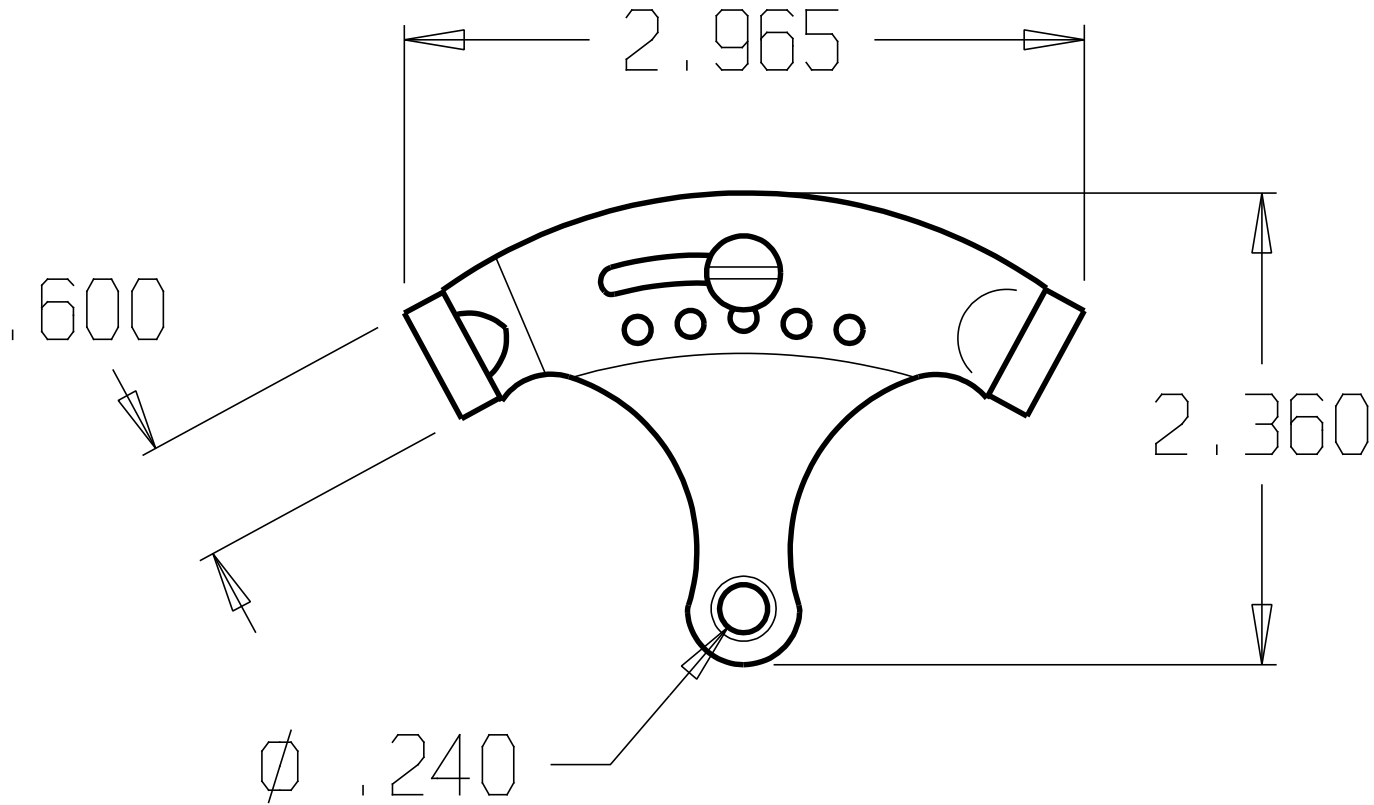


REVISIONS				
ZONE	REV	FINISHES:	DATE	APPROVED
		605, 613, 619, 620, 626		



DON-JO MFG. INC.

DESIGNER	
APPROVED	

SIZE	DATE:	PART NO.	REV
A	3/23/04	#1502	
SCALE	RELEASE DATE	WEIGHT	SHEET