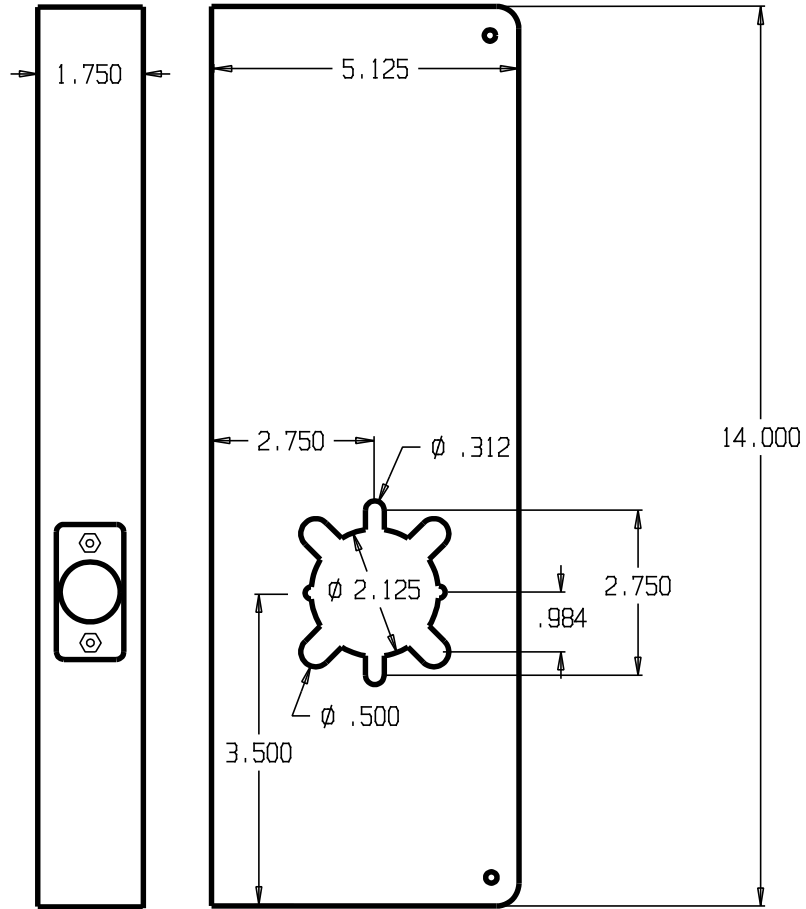


REVISIONS				
ZONE	REV	FINISHES:	DATE	APPROVED
		PB, AB & S		



DON-JO MFG. INC.

DESIGNER	SIZE	DATE:	PART NO.	REV
	A	2/10/04	14-2-CW	
APPROVED	SCALE	RELEASE DATE	WEIGHT	SHEET