



Sparks NV Stock List

EXPANDED INVENTORY

DON-JO MFG., INC.

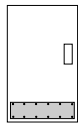
956 United Circle 800.628.8389 Customer Service
Sparks, NV 89431 775.359.6889 Fax



Recently moved from
California to a larger
facility in Sparks, NV to
serve you better!

► www.don-jo.com

Kick Plates



6" x 34" 605
 6" x 34" 630
 8" x 34" 605
 8" x 34" 613
 8" x 34" 630

10" x 28" 630
 10" x 30" 630
 10" x 32" 605
 10" x 32" 630
 10" x 34" 605
 10" x 34" 612
 10" x 34" 613
 10" x 34" 628
 10" x 34" 630

12" x 34" 613
 12" x 34" 630



83 630

Vertical Rod Protector



81 630



85 630

Push/Pull Plates



70 605
 70 613
 70 628
 70 629
 70 630



71 605
 71 613
 71 628
 71 630



72 630
 73 630



1866 630



1874 630
 7010 605



7010 613
 7010 630
 7011 630



7110 605
 7110 613
 7110 628
 7110 630



7111 613
 7111 630
 7114 605
 7114 628
 7114 630
 7115 630
 7116 630

Door Stops/ Holders & Bumpers

Wall/Floor/Door Stops



1400 - 605
 1400 - 613
 1400 - 625
 1400 - 626



1406 - 605
 1406 - 612
 1406 - 613
 1406 - 625
 1406 - 626
 1406 - 630



1407 - 605
 1407 - 612
 1407 - 613
 1407 - 625
 1407 - 626
 1407 - 630



1440 - 605
 1440 - 612
 1440 - 613
 1440 - 625
 1440 - 626



1442 - 605
 1442 - 612
 1442 - 613
 1442 - 625
 1442 - 626



1443 - 605
 1443 - 613
 1443 - 626



1444 - 605
 1444 - 613
 1444 - 626



1446 - 626



1462



1448 - 605
 1448 - 613
 1448 - 626



1449 - 605
 1449 - 613
 1449 - 626



1450 - 605
 1450 - 613
 1450 - 626



1452 - 605
 1452 - 613
 1452 - 626



1455 - 626
 1455 - CP
 1455 - BP



1465 - 605
 1465 - 613
 1465 - 626



1467 - 605
 1467 - 613
 1467 - 626



1471 - 605
 1471 - 613
 1471 - 626



1473 - 605
 1473 - 613
 1473 - 626



1475 - 605
 1475 - 613
 1475 - 626



1477 - 605
 1477 - 613
 1477 - 626



1514 - 626



1608



1609



1610

Roller Bumpers



1486 - 605
 1486 - 613
 1486 - 626



1487 - 605
 1487 - 613
 1487 - 626



1488 - 605
 1488 - 613
 1488 - 626



Hinge Stops



1500 - 605
 1500 - 620
 1500 - 625



Base Stops



1501 - 605
 1501 - 609
 1501 - 625



1506 - 605
 1506 - 613
 1506 - 619
 1506 - 620
 1506 - 625
 1506 - 626



1508 - 605
 1508 - 609
 1508 - 620
 1508 - 625



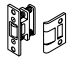
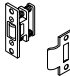
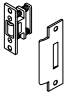
1509 - 605
 1509 - 609
 1509 - 620
 1509 - 625




1510 - 605
 1510 - 609
 1510 - 620
 1510 - 625

Bolts, Latches, & Coordinators








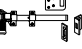
Roller Latches

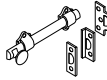
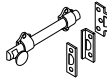
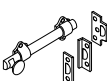
-  1700 - 605
1700 - 613
1700 - 626
-  1702 - 605
1702 - 613
1702 - 626
-  1704 - 605
1704 - 613
1704 - 626

Ball Latches



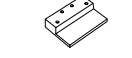

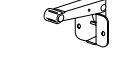

-  1712 - 605
1712 - 613
1712 - 620
1712 - 626

Slide Bolts

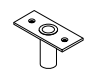
-  SB 2 605
SB 2 613
SB 2 626
-  SB 3 605
SB 3 613
SB 3 626
-  SB 4 605
SB 4 613
SB 4 626
-  SB 6 605
SB 6 613
SB 6 626
-  SB 12 605
SB 12 613
SB 12 626
-  1578 626
-  1580 626
-  1582 630

-  1630 605
1630 613
1630 626
-  1632 605
1632 613
1632 626
-  1634 605
1634 613
1634 626





Coordinators

-  2021
-  2040
-  2050
-  2051
-  2060
-  2080

Dust Proof Strikes

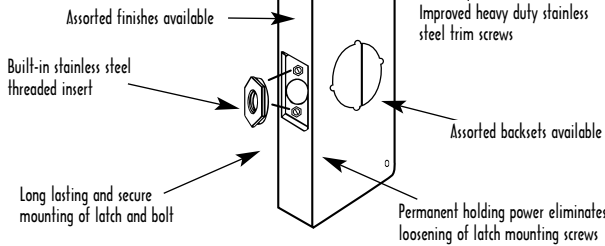
-  1570 - 605
1570 - 613
1570 - 626



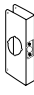
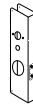
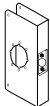
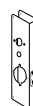
Flush Bolts

-  1555 - 605
1555 - 613
1555 - 625
1555 - 626
-  1557 - 605
1557 - 613
1557 - 626
-  1640 - 605
1640 - 609
1640 - 613
1640 - 620
1640 - 626
-  1640R - 605
1640R - 609
1640R - 613
1640R - 620
1640R - 626

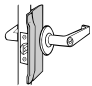
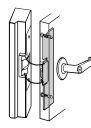
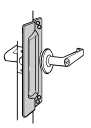
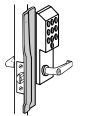
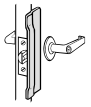
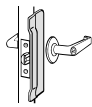
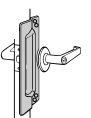
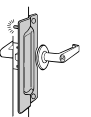
Wrap-Around Plates

The Classic Wrap-Around advantage includes:



-  14 - S - CW
-  9K - S - CW
-  4 - S - CW
-  15 - S - CW
-  4 - S - 2 - CW
-  27 - S - CW

Latch Protectors

-  BLP 107 630
BLP 207 SL
-  FLP 111 630
-  LP 207 SL
-  KLP 110 630 LH
KLP 110 630 RH
-  NLP 106 630
NLP 110 630
-  CLP 106 630
CLP 110 630
-  LP 111 630
LP 211 SL
-  PLP 111 630
PLP 211 SL
PLP 211 26D
PLP 211 DU

Filler Plates & Signs

Signs & Decals



CHS 1



CHS 2



CHS 3

Decals

DD 1
DD 2

THIS DOOR TO REMAIN UNLOCKED DURING BUSINESS HOURS

Decals

DD 3
DD 4



HD 1



HS 9070 01



HS 9070 02



HS 9070 03



HS 9070 04



HS 9070 05



HS 9070 06



HS 9070 22



HS 9070 24



HS 9070 27



HS 9070 32



HS 9070 46



HS 9070 47



HS 9070 48

Filler Plates



AF 260 DU
AF 260 SL



AF 261 DU
AF 261 SL



AR 335 - 605
AR 335 - 613
AR 335 - 630



BF 135 PC



BF 161 PC
BF 161 BP
BF 161 SL
BF 178 PC
BF 178 BP



BF 178 SL



BTS 160 PC



CP 258 PC



CV 86



CV 2414 SL



DBS 386 PC



EF 86



EF 160
EF 160 BP



EF 161
EF 161 BP
EF 161 S
EF 161 TG



EF 634



FB 225 PC



FF 45
FF 50



FS 260 PC



HF 45



HS 060



HS 090



PDF 161 PC



SHF 45



ST 386 PC

Strike Plates



ST 161 605
ST 161 613
ST 161 625
ST 161 626
ST 161 630



ST 214 605 RC
ST 214 630 RC



TS 100 BP
TS 100 CP



DS 234 605
DS 234 630



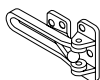
ST 214 605
ST 214 630



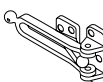
TS 234 605
TS 234 630

Accessory Hardware

Door Flip Guards

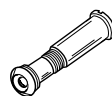


1603 - 605
1603 - 625
1603 - 626



1604 - 605
1604 - 606
1604 - 625
1604 - 626

Door Viewers



DV 90 605
DV 90 626
ULDV 90 605
ULDV 90 626



DV 180 605
DV 180 626
ULDV 180 605
ULDV 180 626

Edge Pulls



104 605
104 613
104 626



106 605
106 613
106 626

Elbow Catches



1590 - 605
1590 - 625

Pocket Door Locks



PDL 100 605
PDL 100 609
PDL 100 613
PDL 100 619
PDL 100 620
PDL 100 622
PDL 100 625
PDL 100 626



PDL 101 605
PDL 101 609
PDL 101 613
PDL 101 619
PDL 101 620
PDL 101 622
PDL 101 625
PDL 101 626