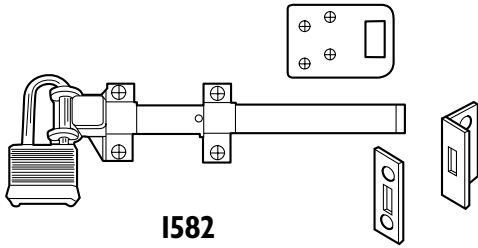




SLIDE BOLTS



1582

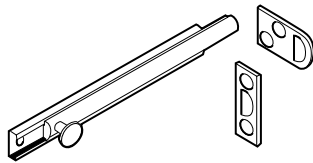
NUMBER	DIMENSIONS	THROW
1582	8"	1"

SHELF PACK: 10
FINISHES: 626, 630

Polybagged
MATERIAL: Stainless Steel

- All stainless steel components
- Top and bottom strikes available
- Padlock not included

SLIDE BOLTS



SB-2
SB-3
SB-4
SB-6
SB-12

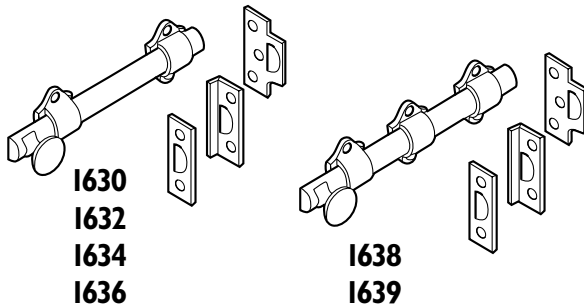
NUMBER	DIMENSIONS	ANSI
SB-2	2"	L0415 I
SB-3	3"	L0415 I
SB-4	4"	L0415 I
SB-6	6"	L0415 I
SB-12	12"	L0415 I

SHELF PACK: 10
FINISHES: (SB-2, SB-3) 605, 613, 609, 625, 626
(SB-4, SB-6, SB-12) 605, 613, 609, 619, 620, 625, 626

Polybagged
MATERIAL: Solid Brass

- Furnished with Rim and Mortise strikes

DUTCH DOOR BOLTS



1630
1632
1634
1636

1638
1639

NUMBER	DIMENSIONS	BOLT
1630	4 1/2" x 1 5/8"	5/8" Half Round
1632	8" x 1 5/8"	5/8" Half Round
1634	12" x 1 5/8"	5/8" Half Round
1636	18" x 1 5/8"	5/8" Half Round
1638	24" x 1 5/8"	5/8" Half Round
1639	36" x 1 5/8"	5/8" Half Round

SHELF PACK: 10
FINISHES: 605, 613, 619, 620, 625, 626

Polybagged
MATERIAL: Solid Brass