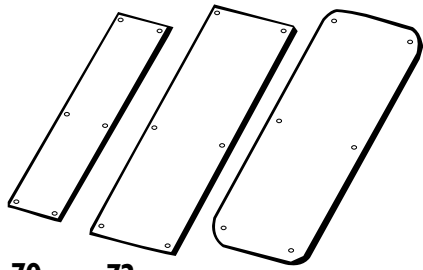




PUSH PLATES



70 72
71 73 72RC

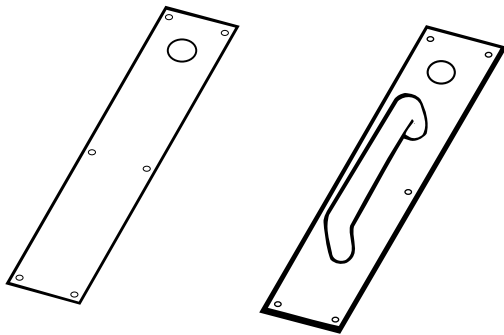
| NUMBER | ANSI | DIMENSIONS |
|--------|------|--------------|
| 70 | J301 | 3 1/2" x 15" |
| 71 | J301 | 4" x 16" |
| 72 | J301 | 6" x 16" |
| 73 | J301 | 8" x 16" |

SHELF PACK: 10

FINISHES: 605, 606, 609, 612, 613, 619, 620, 626, 628, 629, 630

- Beveled edges, adhesive mounting, rounded corners, cylinder cut-outs are available
- Other finishes include clear plastic and Kydex stock colors

PUSH PLATES & PULL PLATES WITH HOLES



| NUMBER | PULL | DIMENSIONS |
|--------|------|--------------|
| *70 | - | 3 1/2" x 15" |
| *71 | - | 4" x 16" |
| *7015 | 15 | 3 1/2" x 15" |
| *7115 | 15 | 4" x 16" |

SHELF PACK: (70, 71) 10

Box Packaged

(7015, 7115) 1

FINISHES: 605, 606, 612, 613, 628, 629, 630

***HOLE SIZE: CFC 1 1/4" - CFD 1 1/2" - CFK 2 1/8" - CFL 2 1/8" with lever prep**

How to Order: Hole Size, Number, Finish
e.g.: CFC70 - 605

CAST DOOR PULLS



10 35 36

| NUMBER | CTC | DIMENSIONS | ANSI |
|--------|--------|---------------------------|------|
| 10 | 5 1/2" | 6 5/8" x 1 3/4" x 1 5/16" | J401 |
| 35 | 5 1/2" | 7 1/2" x 2" x 1 1/2" | J401 |
| 36 | 5 1/2" | 7 1/2" x 2" x 1 1/2" | J401 |

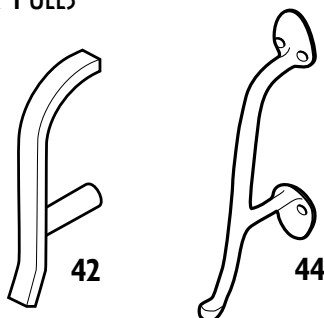
SHELF PACK: 1

• Dimensions - Overall x Projection x Clearance

FINISHES: (10) 605, 612, 613, 628, 630

(35, 36) 605, 613, 625, 626

HOSPITAL PULLS



42 44

| NUMBER | CTC | DIMENSIONS | ANSI |
|--------|-----|------------|------|
| 42 | 5" | 6 1/2" | J401 |
| 44 | 6" | 9 1/4" | J401 |

SHELF PACK: 1

FINISHES: (42) 605, 613, 626, 630

(44) 605, 613, 630