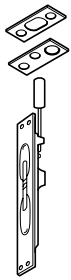
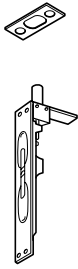




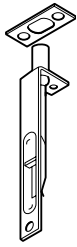
FLUSH BOLTS



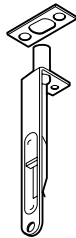
1555
UL rated
For metal doors



1557
UL rated
For wood doors



1640
1" bolt throw
1/2" bolt diameter
For wood doors



1640R

NUMBER	DIMENSIONS	ANSI
1555	6 3/4" x 1"	L14251, L14081
1557	6 3/4" x 1"	-
1640	6" x 3/4"	L04201
1640R	6" x 3/4"	L04201

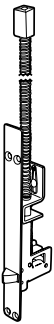


SHELF PACK: 10 **Box Packaged**

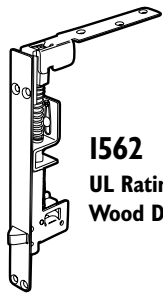
FINISHES: (1555) 605, 612, 613, 625, 626
(1557) 605, 612, 613, 625, 626
(1640, 1640R) 605, 609, 613, 619, 620, 626

(1555 Longer rods available, contact factory.)
Packaged and sold individually

AUTOMATIC FLUSH BOLTS



1560
UL Rating for
Metal Doors



1562
UL Rating for
Wood Doors



NUMBER	DIMENSIONS
1560	6 3/4" x 1"
1562	8 1/2" x 1"



SHELF PACK: 10 **Box Packaged**
FINISHES: 605, 613, 626

Conforms to UL 10C

* Auto Flush Bolts are packaged and sold in pairs

ALUMINUM FLUSH BOLT



1550

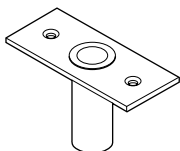


1551

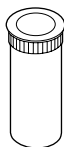
NUMBER	DIMENSIONS	OFFSET
1550	15/16" x 4 1/4"	1/8"
1551	Radius Face	1/4"

SHELF PACK: 4 **Box Packaged**
FINISHES: SL, DU

DUST PROOF STRIKES



1570

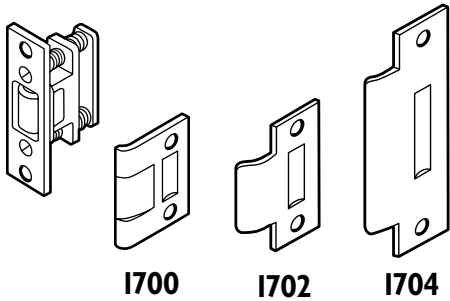


1572

NUMBER	DIMENSIONS	ANSI
1570	2 7/8" x 1 3/4"	L24021
1572	15/16" Diameter	L24021

SHELF PACK: 10 **Polybagged**
FINISHES: 605, 613, 626

ROLLER LATCHES

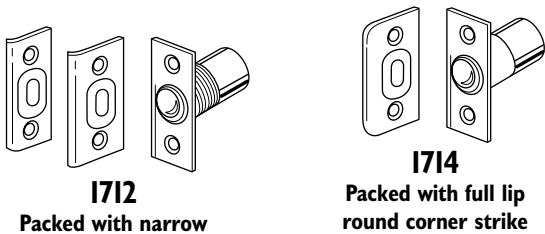


NUMBER	SIZE	STRIKE	ANSI
1700	3 3/8" x 1"	1 11/16" x 2 1/4"	-
1702	3 3/8" x 1"	1 3/4" x 2 3/4"	-
1704	3 3/8" x 1"	1 1/4" x 4 7/8"	E19091

SHELF PACK: 10
FINISHES: 605, 613, 619, 620, 626

Polybagged
MATERIAL: Cast Brass

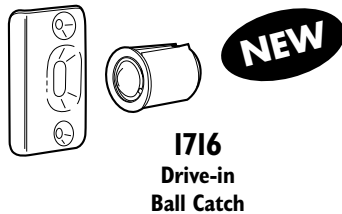
BALL LATCHES



1712
Packed with narrow and wide strike.
Adjustable

1714
Packed with full lip round corner strike

NUMBER	DIMENSIONS	MATERIAL
1712	2 1/8" x 1"	Cast Brass
1714	2 1/4" x 1"	Cast Aluminum
1716	1"	Cast Brass

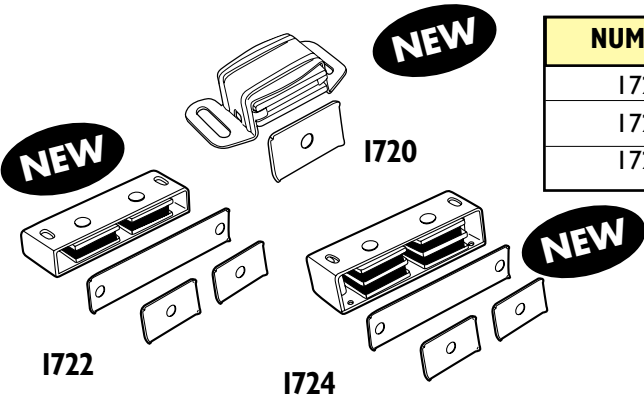


1716
Drive-in Ball Catch

SHELF PACK: 20
FINISHES: (1712) 605, 613, 619, 620, 626
(1714) 605, 609
(1716) 605, 609, 613, 619, 620, 626

Polybagged

MAGNETIC CATCHES

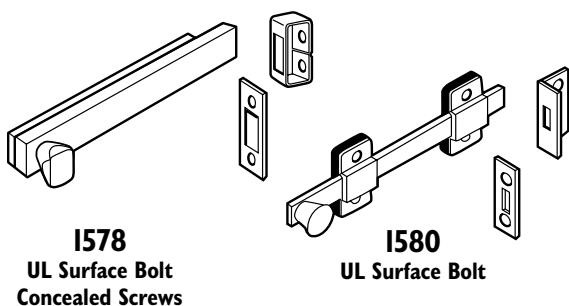


NUMBER	DIMENSIONS	LOAD CAPACITY	ANSI
1720	2 1/16" x 1 1/8" x 5/8"	5 lbs.	-
1722	3 1/8" x 1" x 9/16"	9 lbs.	B43161
1724	3 1/8" x 1" x 3/4"	14 lbs.	B43161

SHELF PACK: 10
FINISHES: 605, 626

Polybagged

SLIDE BOLTS



1578
UL Surface Bolt
Concealed Screws

1580
UL Surface Bolt

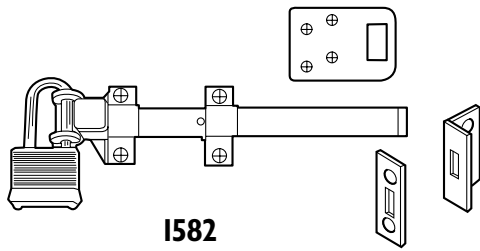
NUMBER	DIMENSIONS	ANSI
1578	8"	L84161
1580	8"	L84161

SHELF PACK: 10
FINISHES: 626
• Furnished with Rim and Mortise strikes

Polybagged
MATERIAL: Solid Brass



SLIDE BOLTS



1582

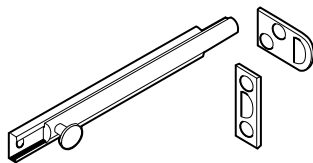
NUMBER	DIMENSIONS	THROW
1582	8"	1"

SHELF PACK: 10
FINISHES: 626, 630

Polybagged
MATERIAL: Stainless Steel

- All stainless steel components
- Top and bottom strikes available
- Padlock not included

SLIDE BOLTS



SB-2
SB-3
SB-4
SB-6
SB-12

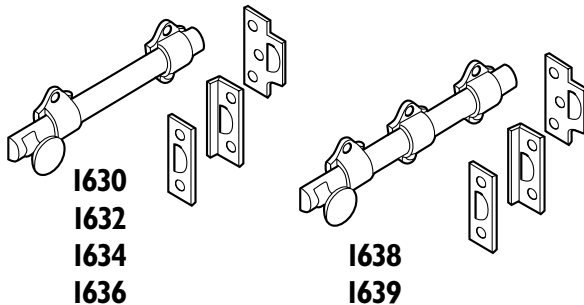
NUMBER	DIMENSIONS	ANSI
SB-2	2"	L0415 I
SB-3	3"	L0415 I
SB-4	4"	L0415 I
SB-6	6"	L0415 I
SB-12	12"	L0415 I

SHELF PACK: 10
FINISHES: (SB-2, SB-3) 605, 613, 609, 625, 626
(SB-4, SB-6, SB-12) 605, 613, 609, 619, 620, 625, 626

Polybagged
MATERIAL: Solid Brass

- Furnished with Rim and Mortise strikes

DUTCH DOOR BOLTS



1630
1632
1634
1636

1638
1639

NUMBER	DIMENSIONS	BOLT
1630	4 1/2" x 1 5/8"	5/8" Half Round
1632	8" x 1 5/8"	5/8" Half Round
1634	12" x 1 5/8"	5/8" Half Round
1636	18" x 1 5/8"	5/8" Half Round
1638	24" x 1 5/8"	5/8" Half Round
1639	36" x 1 5/8"	5/8" Half Round

SHELF PACK: 10
FINISHES: 605, 613, 619, 620, 625, 626

Polybagged
MATERIAL: Solid Brass